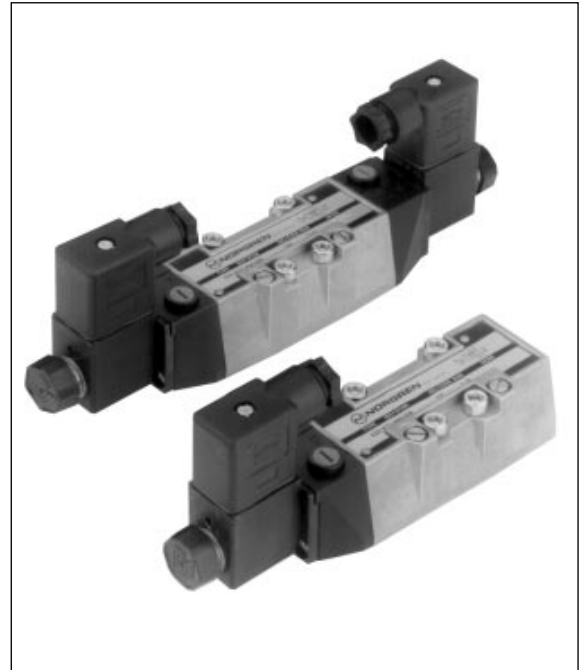


**5/2 and 5/3 Glandless Valves
Solenoid and Pilot Actuated
Sub-base Mounted
ISO 5599/1 #1, #2, #3**

- **Non corrosive spool and sleeve for long trouble free life**
- **Integral flow regulators for cylinder speed control**
- **Low power solenoids with manual override**
- **International VDMA 24 345 Sub-bases**
- **In-line and CNOMO versions**
- **ISO interfacing soft start valves available**



Technical Data

Medium:

Compressed air, 40µm filtered, lubricated or non-lubricated.

Operation:

Spool valve, indirectly actuated.

Mounting:

On sub-bases.

Sizes:

- ISO #1
- ISO #2
- ISO #3

Operating Pressure:

Maximum 10 bar. For details see overleaf.

Flow Characteristics (unregulated):

Size	l/min	Cv	Kv
ISO #1	1230	1,17	1,02
ISO #2	2000	1,99	1,73
ISO #3	4000	3,98	3,46

For details see page 4.

Ambient Temperature:

-15°C* to +50°C (-15°C* to +80°C for pilot actuated valves)

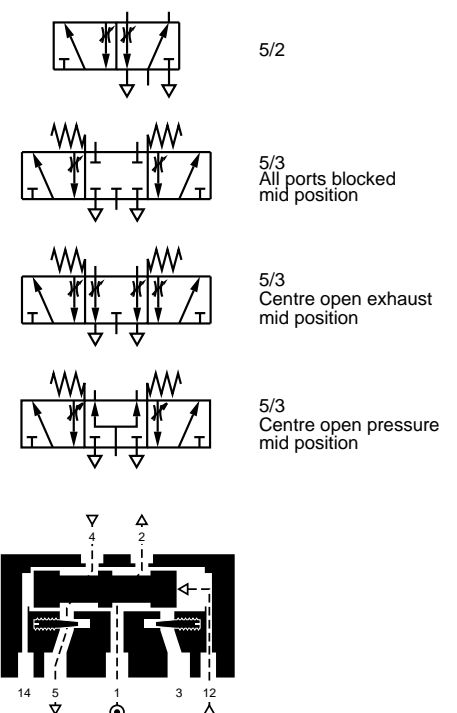
* Consult our Technical Service for use below +2°C

Materials:

Die cast aluminium body. Hard anodised, Teflon coated, matched aluminium spool and sleeve. Nitrile rubber seals. Zinc plated screws. Brass flow regulators.

Ordering Information

To order, quote model reference followed by manual override and voltage code from tables overleaf. e.g. SXE 0573-A60-01/220VAC for a double solenoid internal pilot ISO #1 model, with integral flow regulators, shrouded push button spring return manual override and 220V 50/60 Hz coil and standard plug.



For further technical data on Bases, Accessories and Soft Start Valves refer to sections 5.8.001, 5.8.002 and 5.8.005.



General Information

In-line Versions

Symbol	Model	ISO Size	Operator	Mid-position	Return	Operating Pressure (bar)	Pilot Pressure (bar)	Flow Regulators	Weight (kg)
	SXE 9573-A70-01/*	#1	Solenoid	-	Air Spring	1 – 10 (-0,9 – 10)	-	-	0,330
	SXE 9574-A70-01/*	#2						-	0,590
	SXE 9575-A70-01/*	#3						-	0,850
	SXE 9573-A80-01/*	#1	Solenoid	-	Air Spring	1 – 10 (-0,9 – 10)	-	Integral	0,330
	SXE 9574-A80-01/*	#2						Integral	0,590
	SXE 0573-A50-01/*	#1	Solenoid	-	Solenoid	2 – 10 (-0,9 – 10)	-	-	0,450
	SXE 0574-A50-01/*	#2						-	0,720
	SXE 0575-A50-01/*	#3						-	0,960
	SXE 0573-A60-01/*	#1	Solenoid	-	Solenoid	2 – 10 (-0,9 – 10)	-	Integral	0,450
	SXE 0574-A60-01/*	#2						Integral	0,720
	SXE 9673-A60-01/*	#1	Solenoid	All Ports Blocked	Solenoid	2 – 10 (-0,9 – 10)	-	-	0,450
	SXE 9674-A60-01/*	#2						Integral	0,720
	SXE 9675-A50-01/*	#3						-	0,960
	SXE 9773-A60-01/*	#1	Solenoid	Centre Open Exhaust	Solenoid	2 – 10 (-0,9 – 10)	-	Integral	0,450
	SXE 9774-A60-01/*	#2						Integral	0,720
	SXE 9775-A50-01/*	#3						-	0,960
	SXE 9873-A60-01/*	#1	Solenoid	Centre Open Pressure	Solenoid	2 – 10 (-0,9 – 10)	-	Integral	0,450
	SXE 9874-A60-01/*	#2						Integral	0,720
	SXE 9875-A50-01/*	#3						-	0,960
	SXP 9573-170	#1	Pilot	-	Spring	-0,9 – 10	1,6 – 10	-	0,220
	SXP 9574-170	#2						-	0,420
	SXP 9575-170	#3						-	0,700
	SXP 9573-180	#1	Pilot	-	Spring	-0,9 – 10	1,6 – 10	Integral	0,230
	SXP 9574-180	#2						Integral	0,440
	SXP 0573-170	#1	Pilot	-	Pilot	-0,9 – 10	2 – 10	-	0,220
	SXP 0574-170	#2						-	0,420
	SXP 0575-170	#3						-	0,700
	SXP 0573-180	#1	Pilot	-	Pilot	-0,9 – 10	2 – 10	Integral	0,230
	SXP 0574-180	#2						Integral	0,440
	SXP 9673-180	#1	Pilot	All Ports Blocked	Pilot	-0,9 – 10	2 – 10	Integral	0,230
	SXP 9674-180	#2						Integral	0,480
	SXP 9675-170	#3						-	0,780
	SXP 9773-180	#1	Pilot	Centre Open Exhaust	Pilot	-0,9 – 10	2 – 10	Integral	0,230
	SXP 9774-180	#2						Integral	0,480
	SXP 9775-170	#3						-	0,780
	SXP 9873-180	#1	Pilot	Centre Open Pressure	Pilot	-0,9 – 10	2 – 10	Integral	0,230
	SXP 9874-180	#2						Integral	0,480
	SXP 9875-170	#3						-	0,780

* Insert Voltage Code from table below.

† Insert manual override option from 'Electrical Details for Solenoid Operators' table below.

‡ Internal flow regulators on ISO #1 and ISO #2 models only.

Δ Mechanical spring versions also available.

Pressures shown in brackets refer to external pilot options. See External Pilot Air Supply below.

*Voltage Codes

Voltage	Code	Power Inrush/Hold ▲
12 V d.c.	12V=	2 W
24 V d.c.	24V=	2 W
24 V 50/60 Hz	24VAC	4/2,5 VA
48 V 50/60 Hz	48VAC	4/2,5 VA
110/120 V 50/60 Hz	110VAC	4/2,5 VA
220/240 V 50/60 Hz	220VAC	9/5,0 VA

Other voltages available on request

For details of connector plugs see Section 7.7.001

▲ Standard In-Line Versions

† Electrical Details for Solenoid Operators

Voltage Tolerances:	+10%/-15%
Rating:	100% E.D.
Electrical Connector:	DIN 43 650 table 'B'
Standard Plug: (Supplied)	May be rotated through 360° at 90° intervals
Cable Entry:	Pg 9
Solenoid Coil:	May be rotated at 90° intervals
Manual Override:	Shrouded push button, spring return, lockable ...‡ = 0 Shrouded push button, spring return‡ = 1 Extended push button, spring return (CNOMO)...‡ = 2
Protection Class:	IP 65 (DIN 40 050)

External Pilot Air Supply

All in-line and CNOMO solenoid operated ISO ★ STAR valves are available with external pilot air supply. Operating pressures and pilot pressures for these valves are shown in brackets in the General Information tables. To order external pilot air supply versions, change 10th character to figure 5, i.e. SXE 9573-A75-00.



CNOMO Versions

Symbol	Model	ISO Size	Operator	Mid-position	Return	Operating Pressure (bar)	Pilot Pressure (bar)	Flow Regulators	Weight (kg)
Δ	SXE 9573-Z70-9†/”	#1	Solenoid	-	Air Spring	1 – 10 (-0,9 – 16)	-	-	0,500
	SXE 9574-Z70-9†/”	#2						-	0,780
	SXE 9575-Z70-9†/”	#3						-	1,040
Δ	SXE 9573-Z80-9†/”	#1	Solenoid	-	Air Spring	1 – 10 (-0,9 – 16)	-	Integral	0,500
	SXE 9574-Z80-9†/”	#2						Integral	0,780
	SXE 9575-Z80-9†/”	#3						-	1,040
	SXE 0573-Z50-9†/”	#1	Solenoid	-	Solenoid	2 – 10 (-0,9 – 16)	(2 – 10)	-	0,790
	SXE 0574-Z50-9†/”	#2						-	1,100
	SXE 0575-Z50-9†/”	#3						-	1,360
	SXE 0573-Z60-9†/”	#1	Solenoid	-	Solenoid	2 – 10 (-0,9 – 16)	(2 – 10)	Integral	0,790
	SXE 0574-Z60-9†/”	#2						Integral	1,100
	SXE 0575-Z60-9†/”	#3						-	1,360
‡	SXE 9673-Z60-9†/”	#1	Solenoid	All Ports Blocked	Solenoid	2 – 10 (-0,9 – 16)	(2 – 10)	Integral	0,790
	SXE 9674-Z60-9†/”	#2						Integral	1,100
	SXE 9675-Z60-9†/”	#3						-	1,360
‡	SXE 9773-Z60-9†/”	#1	Solenoid	Centre Open Exhaust	Solenoid	2 – 10 (-0,9 – 16)	(2 – 10)	Integral	0,790
	SXE 9774-Z60-9†/”	#2						Integral	1,100
	SXE 9775-Z60-9†/”	#3						-	1,360
‡	SXE 9873-Z60-9†/”	#1	Solenoid	Centre Open Pressure	Solenoid	2 – 10 (-0,9 – 16)	(2 – 10)	Integral	0,790
	SXE 9874-Z60-9†/”	#2						Integral	1,100
	SXE 9875-Z60-9†/”	#3						-	1,360

* Insert Voltage Code from table opposite.

Δ Mechanical spring versions also available.

† Insert manual override option from 'Electrical Details for Solenoid Operators' table opposite.

Pressures shown in brackets refer to external pilot options. See External Pilot Air Supply opposite.

‡ Internal flow regulators on ISO #1 and ISO #2 models only.

VDMA 24 345 Base Options

VDMA 24 345	Form 'A'	Form 'B'	Form 'C'	Form 'D'	Form 'E'	
	Side Ported Sub-base	Bottom Ported Sub-base	Sub-base	Sub-base End Plates	Connecting Plate	Transition plate
For ISO #1 models	M/P19126 (G ¹ / ₄)	M/P19125 (G ¹ / ₄)	CQM/22152/3/21	CQM/22152/3/22	FP 8361	CQM/22152/3/24 #1 → #2
For ISO #2 models	M/P19132 (G ³ / ₈)	M/P19131 (G ³ / ₈)	CQM/22253/3/21	CQM/22253/3/22	FP 8461	CQM/22253/3/24 #2 → #3
For ISO #3 models	M/P19138 (G ¹ / ₂)	M/P19137 (G ¹ / ₂)	CQM/22354/3/21	CQM/22354/3/22	FP 8561	CQM/22354/3/24 #3 → #4

Universal Base Options

	Universal Base	End Plates	Transition Plate	Blanking Disk (for dual supply)	
For ISO #1 models	CQM/22152/3/27 (G ¹ / ₄)	CQM/22152/3/28 (G ¹ / ₄)	CQM/22152/3/29 #1 → #2	M/P 43173	
For ISO #2 models	CQM/22253/3/27 (G ³ / ₈)	CQM/22253/3/28 (G ³ / ₈)	-	M/P 43174	

Multi ★ Star Sub-base Options for ISO #1 Models

Multi-station Subplate 02-12 stations	Side Ported Interplate (Push-in Fittings)	Bottom Ported Interplate (Push-in Fittings)	Side Ported Interplate	Bottom Ported Interplate	Slow Start Sub-base	Isolating Plug	Blanking Plate for Subplate
FT 30** (G ³ / ₈)	FU 3010-08 (Ø8)	FU 3040-08 (Ø8)	FU 3010-92 (G ¹ / ₄)	FU 3060-92 (G ¹ / ₄)	FT 3901	FP 2082	FU 3000-00
	FU 3010-10 (Ø10)	FU 3040-10 (Ø10)					

Accessories

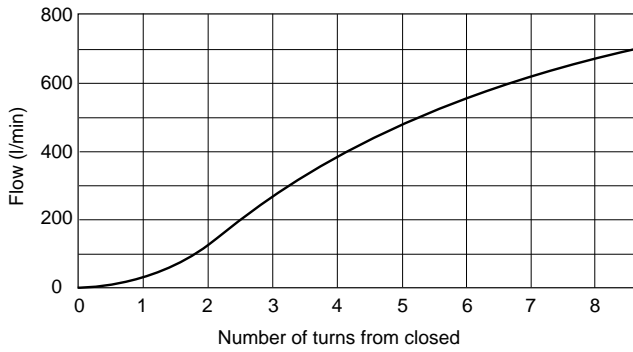
* Insert number of stations
Multi-station subplate must be used with interplates

Pressure Regulator	Pressure Regulator	Silencer Plate	Blanking Plate	Flow Regulator
For ISO #1 models	FP 7054 Port 2 regulated	FP 7055 port 4 regulated	CQM/22152/3/25	CQM/22152/3/23
For ISO #2 models	-	-	CQM/22253/3/25	CQM/22253/3/23
For ISO #3 models	FP 7074 Port 2 regulated	FP 7075 port 4 regulated	CQM/22354/3/25	CQM/22354/3/23
				CQM/22354/3/26

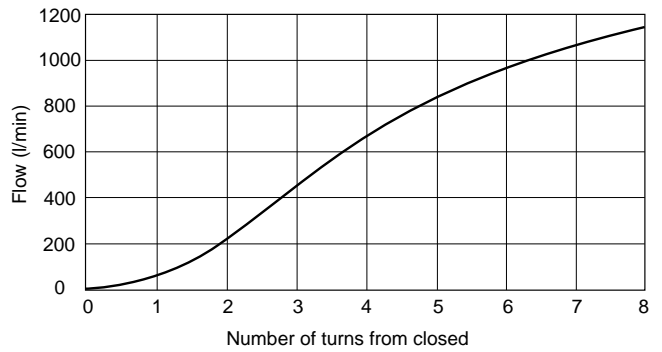


Exhaust Flow Characteristics For Valves With Integral Flow Regulators

ISO #1

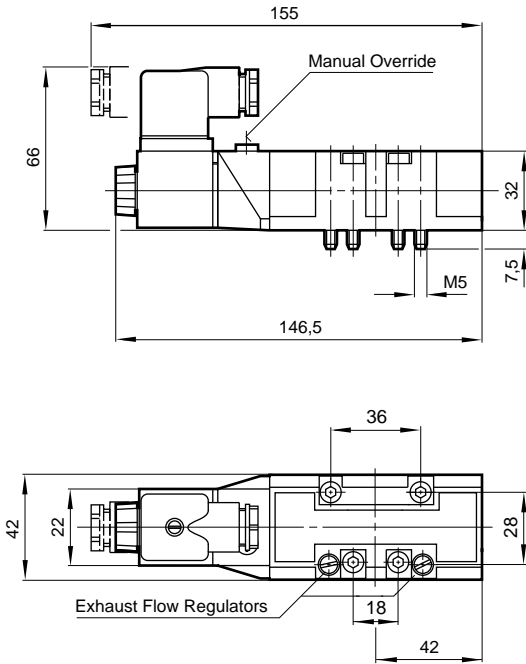


ISO #2

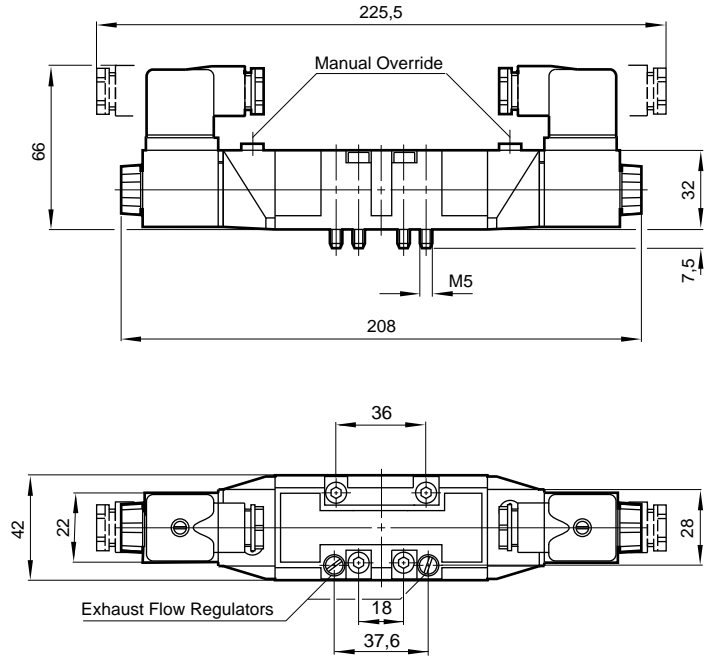


Flow measured at 6 bar inlet, 1 bar pressure drop.

SXE 9573-A Models In Line Single Solenoid Valves - ISO #1

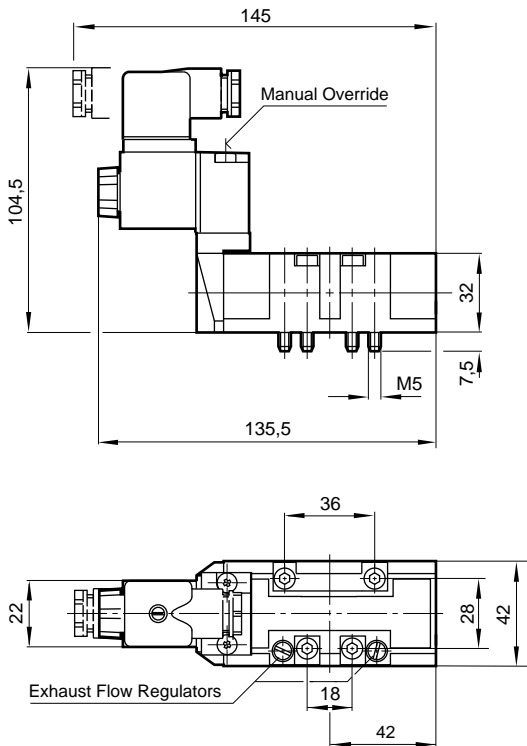


SXE 0573-A and SXE9*73-A Models In Line Double Solenoid Valves - ISO #1

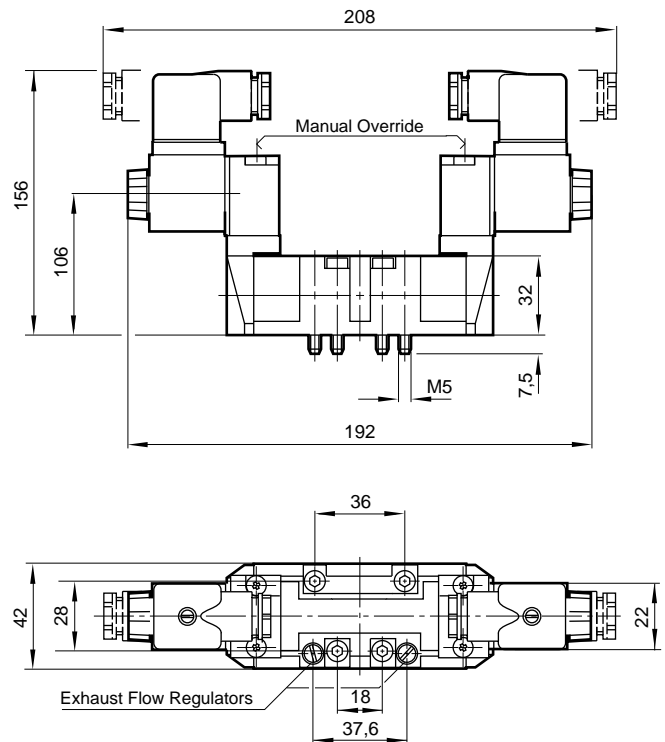




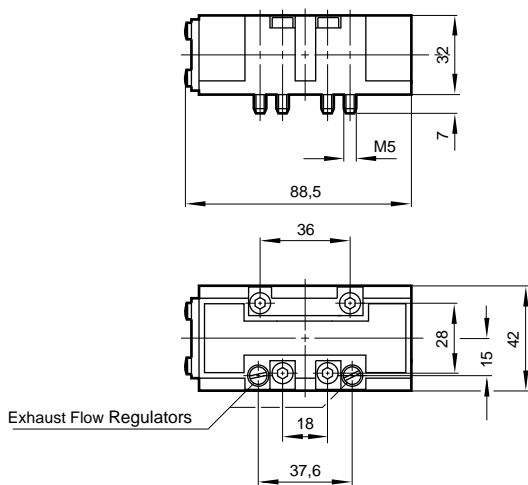
SXE 9573-Z Models
CNOMO Single Solenoid Valves - ISO #1



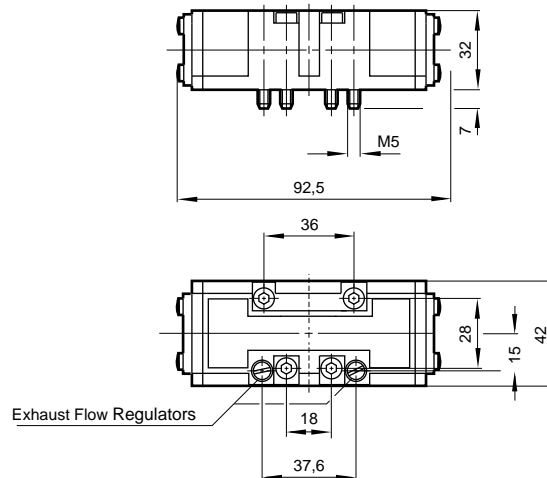
SXE 0573-Z and SXE 9*73-Z Models
CNOMO Double Solenoid Valves - ISO #1



SXP *573-1 Models
Single Pilot Valves and Double Pilot Valves - ISO #1

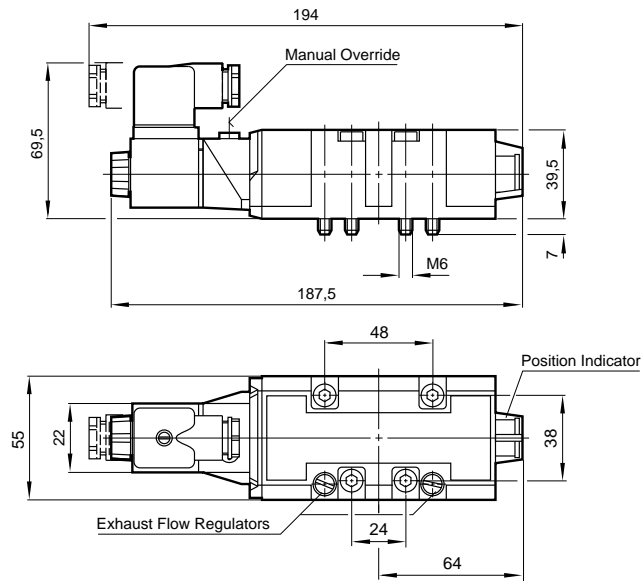


SXP 9*73-1 Models
Double Pilot Spring Centralised Valves - ISO #1

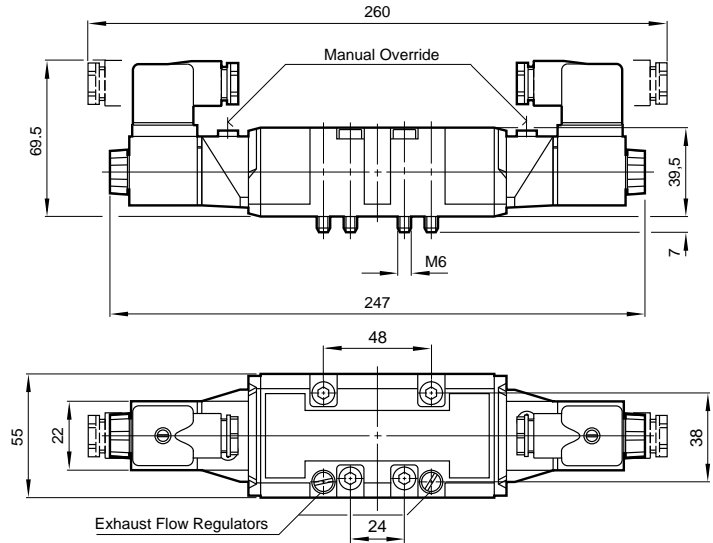




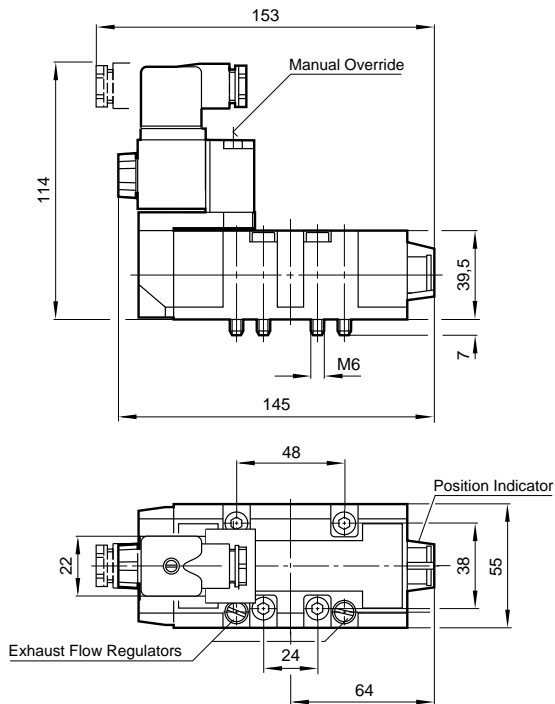
SXE 9574-A Models
In Line Single Solenoid Valves - ISO #2



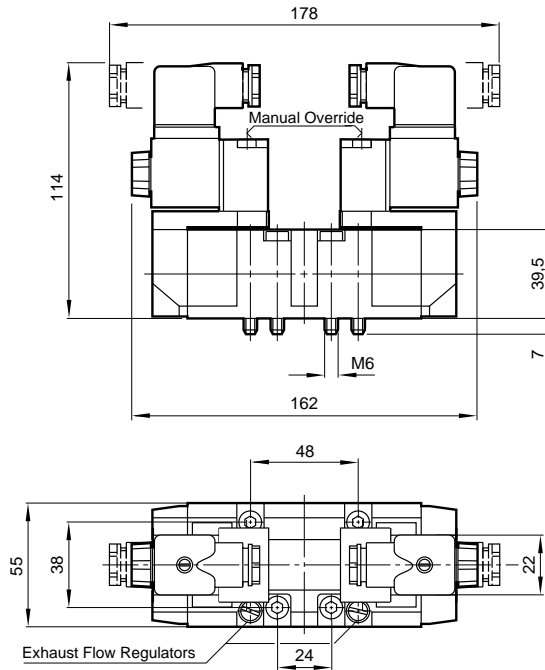
SXE 0574-A, SXE 9*74-A Models
In Line Double Solenoid Valves - ISO #2



SXE 9574-Z Models
CNOMO Single Solenoid Valves - ISO #2



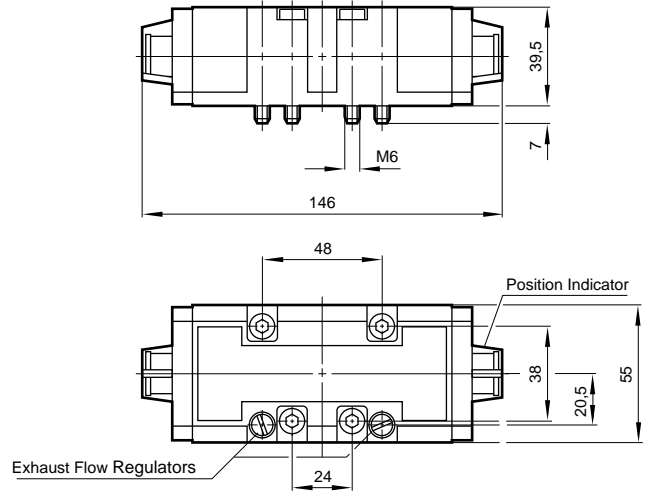
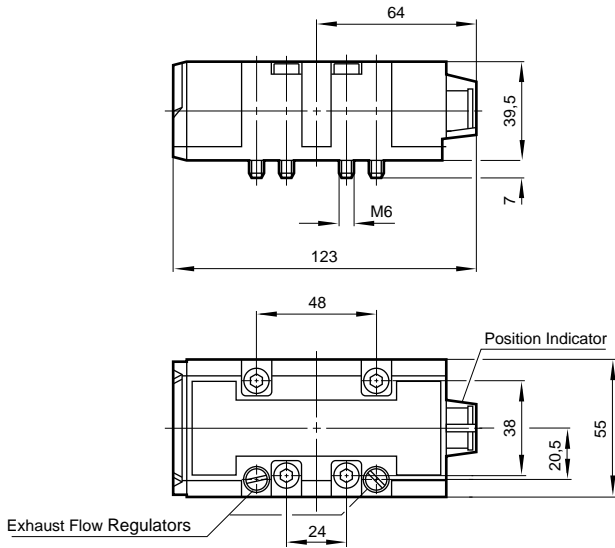
SXE 0574-Z and SXE 9*74-Z Models
CNOMO Double Solenoid Valves - ISO #2





SXP *574-1 Models
Single Pilot Valves and Double
Pilot Valves - ISO #2

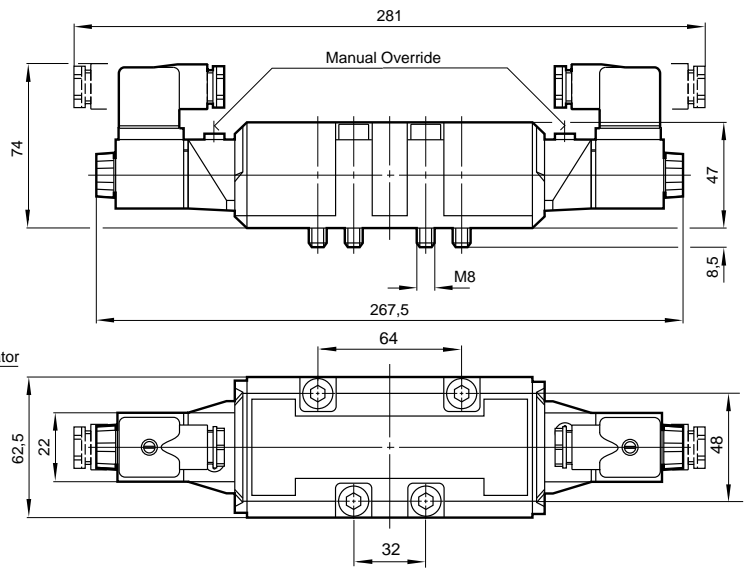
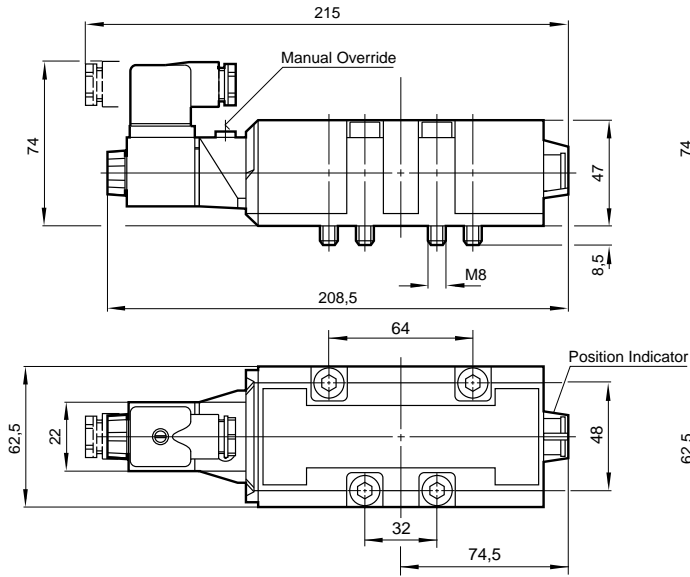
SXP 9*74-1 Models
Double Pilot Spring Centralised Valves - ISO #2





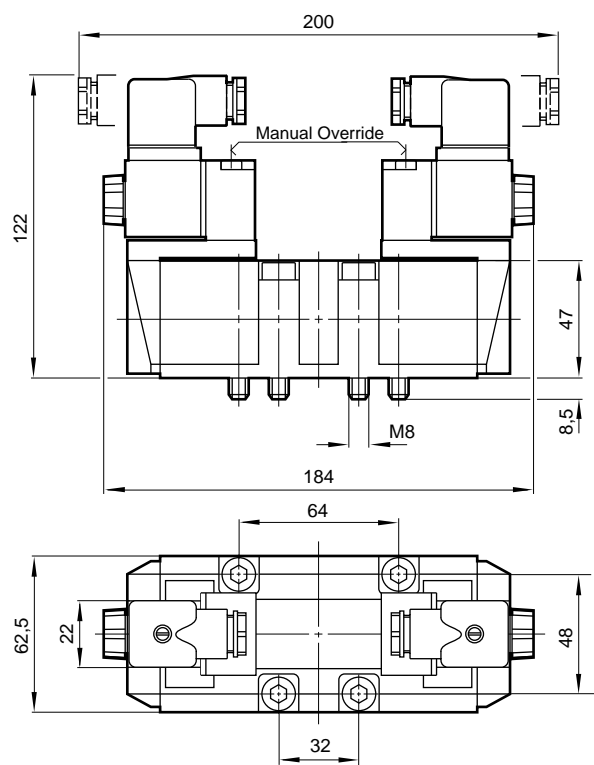
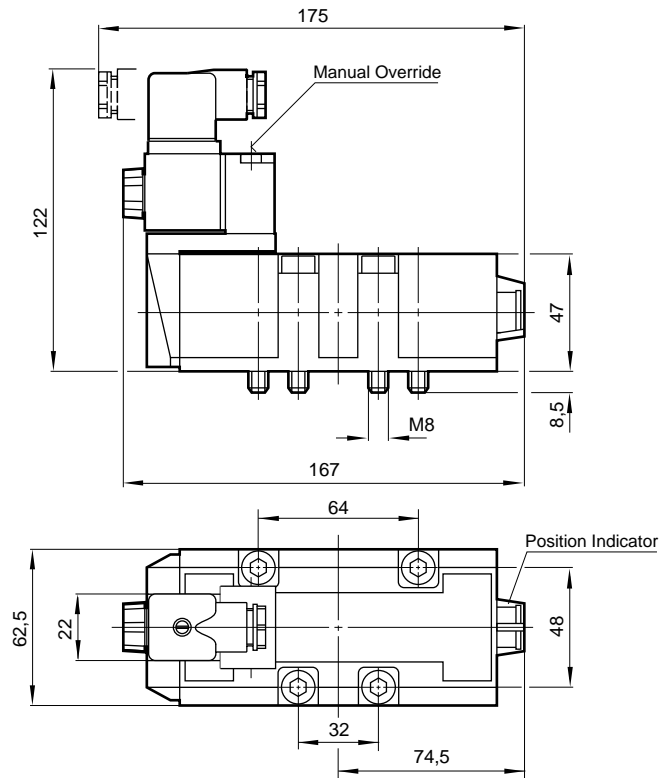
SXE 9575-A Models
In Line Single Solenoid Valves - ISO #3

SXE 0575-A and SXE 9*75-A Models
In Line Double Solenoid Valves - ISO #3



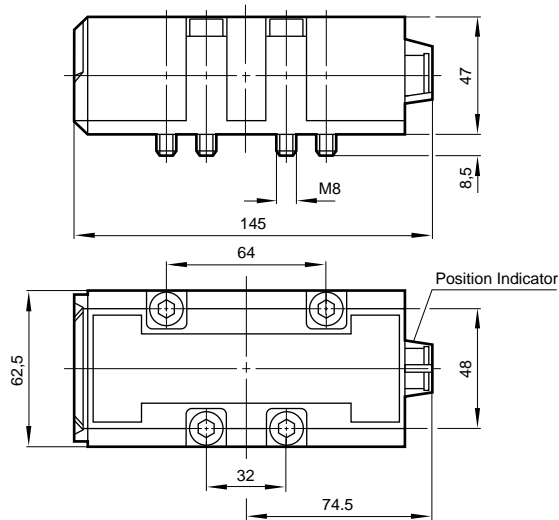
SXE 9575-Z Models
CNOMO Single Solenoid Valves - ISO #3

SXE 0575-Z and SXE 9*75-Z Models
CNOMO Double Solenoid Valves - ISO #3

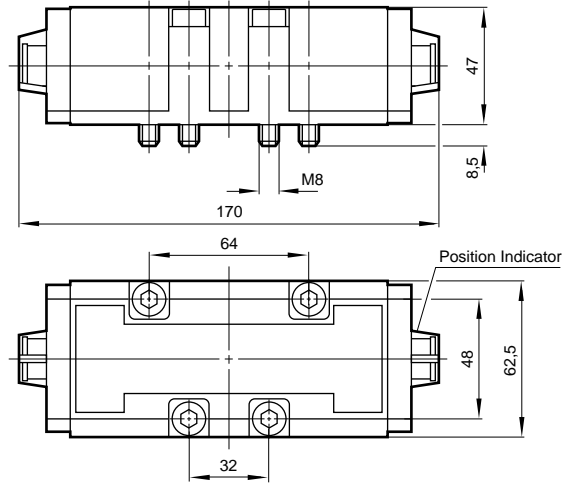




SXP *575-1 Models Single Pilot Valves and Double Pilot Valves - ISO #3



SXP 9*75-1 Models Double Pilot Spring Centralised Valves - ISO #3



Warning

These products are intended for use in industrial compressed air systems only. Do not use these products where *pressures* and *temperatures* can exceed those listed under '**Technical Data**'.

Before using these products with fluids other than those specified, for non-industrial applications, life-support systems, or other applications not within published specifications, consult NORGREN.

Through misuse, age, or malfunction, components used in fluid power systems can fail in various modes. The system designer is warned to consider the failure modes of all component parts used in fluid power systems and to provide adequate safeguards to prevent personal injury or damage to equipment in the event of such failure.

System designers must provide a warning to end users in the system instructional manual if protection against a failure mode cannot be adequately provided.

System designers and end users are cautioned to review specific warnings found in instruction sheets packed and shipped with these products.